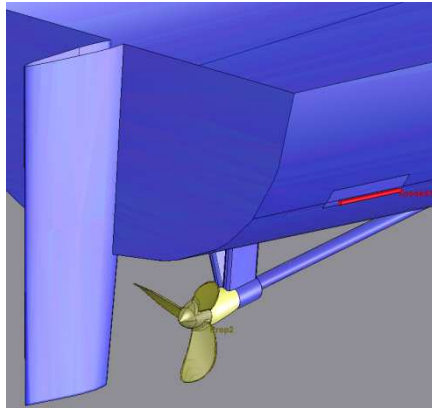
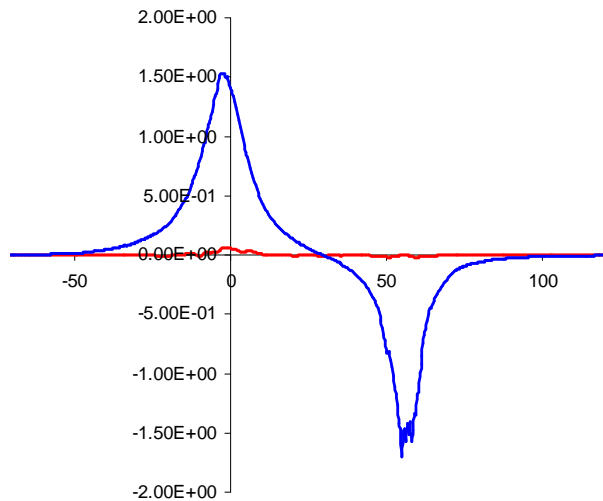


Achievement: ICCP/signature modelling for marine applications



— Ex- center — Ex - port



- **Issue:** What is the effect of anode location/current on CP and signature?
- **Solution:** Elsyca studied influence of anode location, coating defects, rectifier interruption on CP and Underwater Electrical Potential
- **Results:**
 - UEP can significantly be reduced without reducing CP levels